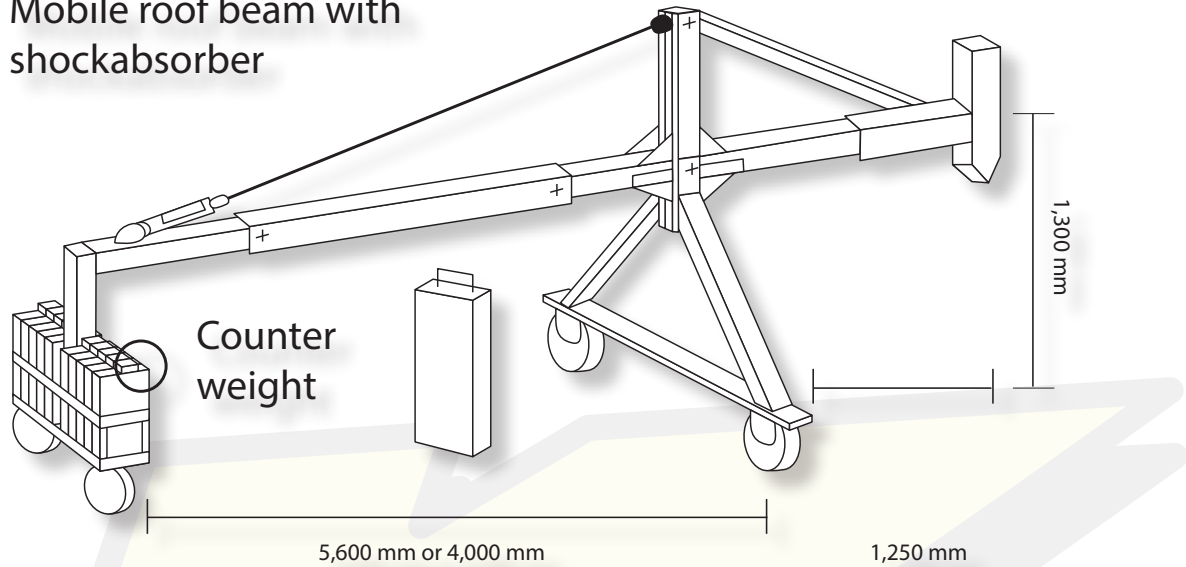


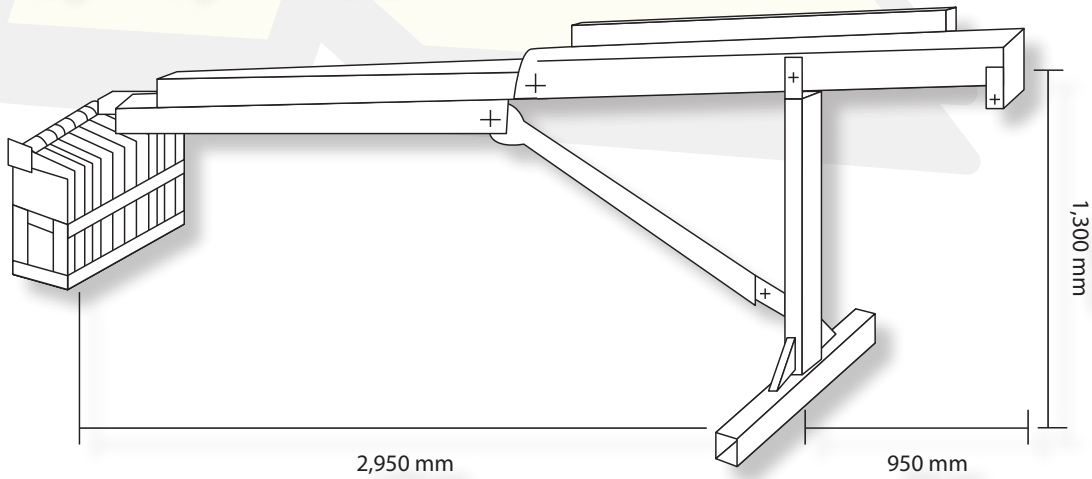


Roof Systems and Platform Accessories

Mobile roof beam with shockabsorber



Light weight roof beam





Roof Systems and Platform Accessories

ALPHA HOIST RANGE

Standard Model

MOTOR OPTIONS	GROSS LIFTING CAPACITY (Kg)	CLIMBING SPEED AT FULL LOAD (m/min)	RUNNING CURRENT AT FULL LOAD (amps)	"NO POWER" EMERGENCY LOWERING SPEED (m/min)
220 Volt, 50 Cycle Single phase	500	8.5	5.5	6
240 Volt, 50 Cycle, Single phase	500	8.6	5.5	6
220 Volt, 60 Cycle Single phase	450	6	7	
220/380 Volt, 50 Cycle Threephase	500	8.5	3.8/2.2	6
220/400 Volt, 50 Cycle Threephase	500	8.5	3.8/2.2	6
220/380 Volt, 60 Cycle Threephase	450	10	4/2.5	7
24 Volt, D.C	500	8.5	60	10
Pneumatic	500	8	Requires 2cu/m At 6 ATA	6

SYSTAGE 500 PLATFORMS

Safe Working Loads for use with Alpha Hoist

LENGTH OF SKYSTAGE	MAXIMUM EVENLY DISTRIBUTED LOAD (Kg)	PERMISSIBLE CONCENTRATED LOAD (Kg)	EQUIVALENT NUMBER OF PERSONS
2m	610	305	3+
3m	588	294	3+
4m	552	276	
5m	530	265	3+
6m	507	253	3
7m	472	236	3
8m	449	224	2+

Note 1: Operative with handtools only, assumed to weigh 80 kg

