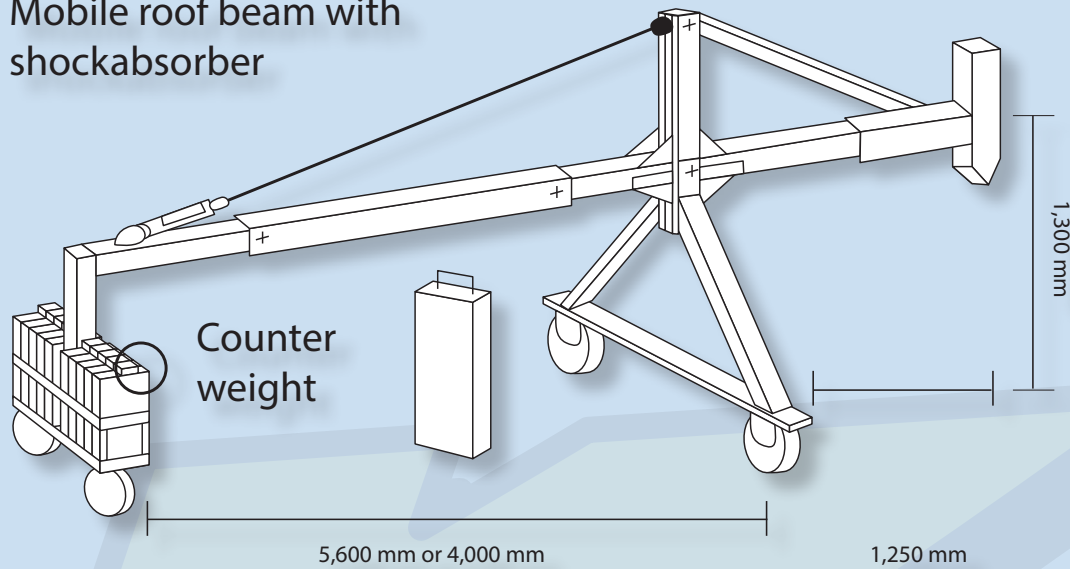


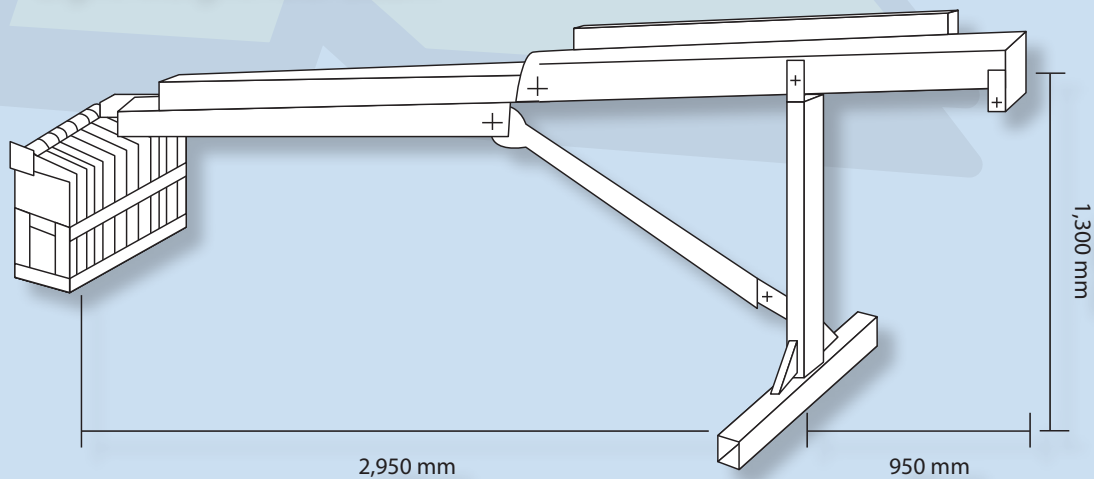


## Roof Systems

Mobile roof beam with shockabsorber



Light weight roof beam



South West Cradles (UK) Ltd, New Road, Blackfield, Southampton  
Tel: 0800 7312417 E: [southwestcradles@live.co.uk](mailto:southwestcradles@live.co.uk)



## Motor Options

### ALPHA HOIST RANGE

Standard Model

| MOTOR OPTIONS                        | GROSS LIFTING CAPACITY (Kg) | CLIMBING SPEED AT FULL LOAD (m/min) | RUNNING CURRENT AT FULL LOAD (amps) | “NO POWER” EMERGENCY LOWERING SPEED (m/min) |
|--------------------------------------|-----------------------------|-------------------------------------|-------------------------------------|---|
| 220 Volt, 50 Cycle<br>Single phase   | 500kg                       | 8.5                                 | 5.5                                 | 6   |
| 240 Volt, 50 Cycle,<br>Single phase  | 500kg                       | 8.6                                 | 5.5                                 | 6   |
| 220 Volt, 60 Cycle<br>Single phase   | 500kg                       | 6                                   | 7                                   |   |
| 220/380 Volt, 50 Cycle<br>Threephase | 500kg                       | 8.5                                 | 3.8/2.2                             | 6   |
| 220/400 Volt, 50 Cycle<br>Threephase | 500kg                       | 8.5                                 | 3.8/2.2                             | 6   |
| 220/380 Volt, 60 Cycle<br>Threephase | 800kg                       | 10                                  | 4/2.5                               | 7   |
| 110 Volt, D.C<br>Pneumatic           | 500kg                       | 8.5                                 | 60                                  | 10  |
| Manual machines are optional         | 500kg                       | 8                                   | Requires<br>2cu/m<br>At 6 ATA       | 6   |
|                                      | 400kg                       |                                     |                                     |   |

### SYSTAGE PLATFORMS

*Safe Working Loads for use with Alpha Hoist*

| LENGTH OF SKYSTAGE | MAXIMUM EVENLY DISTRIBUTED LOAD(Kg) | EQUIVALENT NUMBER OF PERSONS |
|--------------------|-------------------------------------|------------------------------|
| 2m                 | 400                                 | 3                            |
| 3m                 | 400                                 | 3                            |
| 4m                 | 400                                 | 3                            |
| 5m                 | 400                                 | 3                            |
| 6m                 | 400                                 | 3                            |
| 7m                 | 400                                 | 3                            |
| 8m                 | 400                                 | 3                            |
| 9m                 | 400                                 | 3                            |
| 10m                | 400                                 | 3                            |
| 11m                | 400                                 | 3                            |
| 12m                | 400                                 | 3                            |

*All Skystage Platforms have options of 1m and 2m extensions added*

*Note 1: Operative with handtools only, assumed to weigh 80 kg*



South West Cradles (UK) Ltd, New Road, Blackfield, Southampton

Tel: 0800 7312417 E: southwestcradles@live.co.uk